



CVI PD 3000

★ **DISTRIBUTION**
CRYOSTAR

Technical Index

★ Pump ID Meaning

Applications	Cylinder and buffer tank filling
Liquids pumped	LO ₂ , LN ₂ , LAr, LCO ₂ , LN ₂ O, LNG, LH ₂
Drive type	Grease lubricated crank drive
Design pressure	414 bar / 9000 PSI (Available in DUAL and triple units)



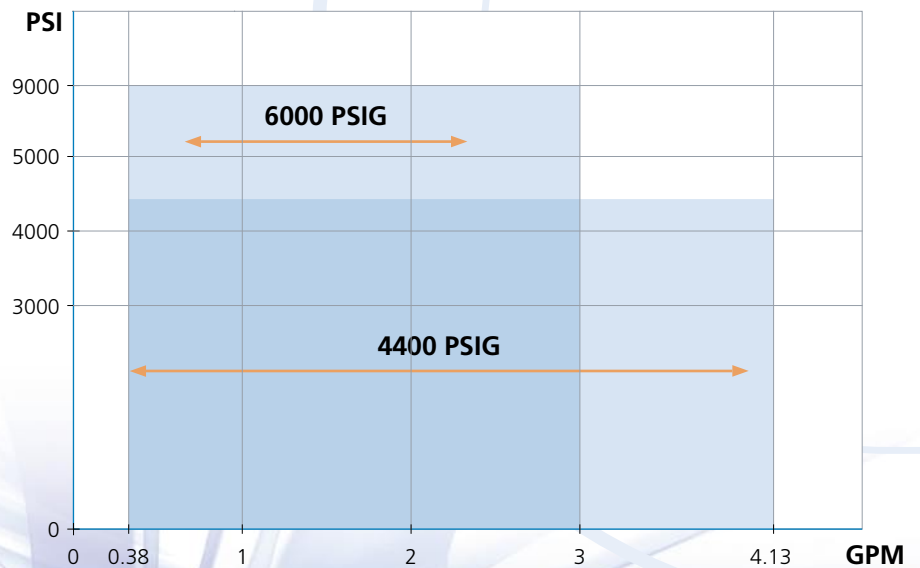
★ Test Procedure

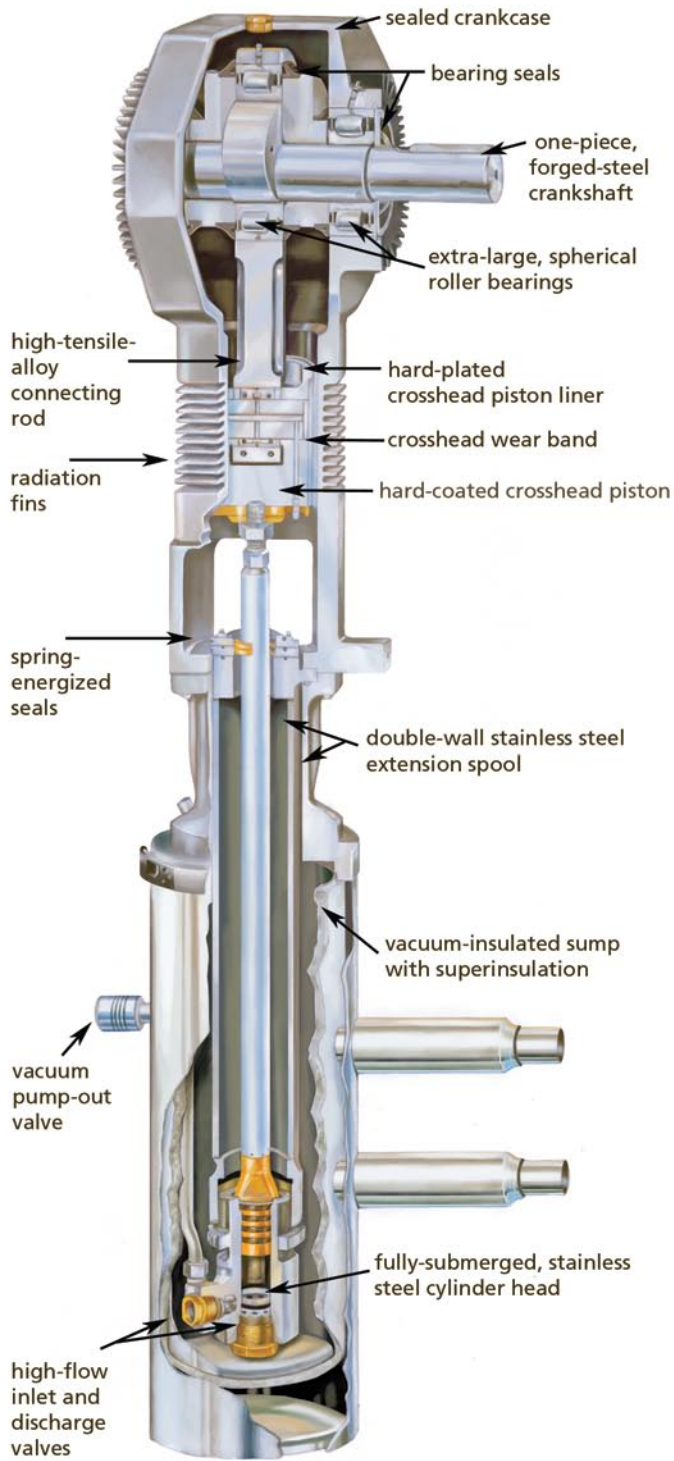
Each pump manufactured by CRYO-STAR is mechanically and cryogenically tested prior to shipment in our state-of-the-art testing facility to ensure that performance meets customer specification. The precision of measuring devices provides essential results : differential head, flow rate, seal gas consumption, pump efficiency, NPSH, noise and vibration levels – all documented and submitted to the customer.

★ Quality

Designed in compliance with guidelines like IGC 11/82 norm

★ Performance





★ Features

The PD 3000 is designed with main components that are proven to provide maximum performance and long service life with minimum maintenance and easy service.

- ★ Operate at slower speeds than competitive pumps
- ★ Heavier, moisture-sealed drive-end bearing
- ★ All bearings are retained in split/bolted housing for easy replacement
- ★ Replaceable crosshead wear band eliminates excessive wear and frequent replacement of crosshead piston. Wear band can be changed quickly and easily
- ★ Longer connecting rod for reduced crosshead loading
- ★ Self-adjusting, spring-energized pushrod shaft seal contained in simple cartridge housing for easy replacement through hand-access opening
- ★ Superinsulated vacuum sump

★ Options

- ★ Double pushrod gas seal assembly
- ★ Purged drive assembly
- ★ Pushrod seal covers with gaskets
- ★ Discharge check valve
- ★ Uninsulated, braided, stainless steel flex lines
- ★ Shaft-seal temperature-shutdown control system
- ★ Permissive start and shutdown control system
- ★ Automatic unloader control system, using pneumatic or solenoid valves
- ★ Custom systems quoted on request

For more details please contact your local Cryostar representative



CRYOSTAR Automation	tel : +33 (0) 5 65 80 20 20	info@cryostar.com
CRYOSTAR Brazil	tel : +55 11 5092 5262	brazil@cryostar.com
CRYOSTAR China	tel : +86 571 8536 8331	china@cryostar.com
CRYOSTAR France	tel: +33 (0) 3 89 70 27 27	info@cryostar.com
CRYOSTAR Singapore	tel : +65 6276 7441	singapore@cryostar.com
CRYOSTAR UK	tel : +44 1709 702 777	uk@cryostar.com
CRYOSTAR USA East	tel : 1-800-483-1052	usa@cryostar.com
CRYOSTAR USA West	tel : +1 (562) 903-1290	usa@cryostar.com
CRYOSTAR USA - Houston Office	tel : +1 (713) 661-6000	usa.houston@cryostar.com



www.cryostar.com